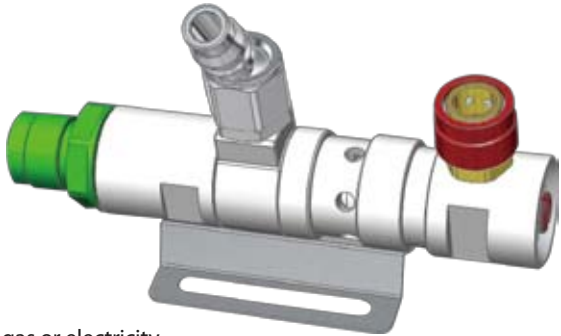


# VORTEX TUBE



**Features**

- Only use compressed air for spot cooling without using refrigerant gas or electricity.
- Since Vortex tube has belt hooks designed for safety belts, it is easy to be fastened around the waist.
- Vortex Tube body and Air jacket feature one-touch connection and disconnection.
- Semi-permanent product.
- Since universal plug is free to rotate 360 degrees, and INLET (180 degrees) plus INLET PLUG (60 degrees) can rotate a full 240 degrees, there is no hose twisting and kinking when workers move from left to right.

Air Pressure (kg/cm <sup>2</sup> )	Cold Air Discharge	Compressed Air Consumption (ℓ/min)	Air Discharge Volume (ℓ/min)		Total Discharge Volume (ℓ/min) C + H	Discharge Air Temperature (°C)		
			COOL	HOT		IN	COOL	HOT
5	Maximum	135	315	50	365	25.8	12.8	60.7
	Minimum		235	130		25.7	1.9	53.7

