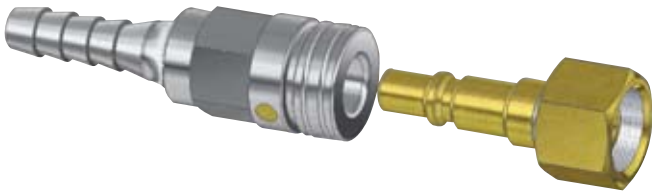


SAFETY COUPLER



Safety Coupler is a welding equipment connector for Oxygen and Gas use.

Features

- Safety Coupler is fabricated as a double safety device, conveniently used during welding and cutting operations.
- Safety Couplings for Oxygen use are not interchangeable with those for Gas use.
- Safety Coupler has a special double safety sealing structure to prevent gas leaks upon connection and disconnection.
- Plug with anti-backflow check valve instantly prevents undesirable backflow of gases.
- The swivel function of Safety Couplings prevents hose twisting and provides a great convenience for welding operations.

Specifications

Application Size	1/4" 5/16" 3/8" 1/2"	
Body Material	Brass	
Sealing Material / Operating Temperature	Sealing Material	Operating Temperature Range
	Nitrile rubber (NBR)	-20°C ~ +80°C

Anti-backflow Check Valve

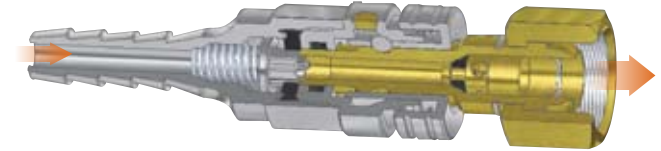
Type	Piston-Type
Feature	Check Valve blocks to resist backflow of gases and prevent failure of gas appliances.

Instructions for use

- Soapy water or gas-tight testing device should be performed for gas leak tests before use.
- When connected or disconnected, there should be no inflammable or explosive materials around the area.
- The sealing area of the Plug which is inserted into the socket should be handled very carefully to avoid any damage.
- When couplings are badly dented in a collision, they are not connected firmly which may lead to a gas leak.
- After separation, couplings should be stored in a clean location to keep dust or potentially harmful foreign substances from entering the inside of the socket. The sealing area of the plug should especially be protected from any impacts.

Direction of fluid flow

Fluid must flow from the side of the socket to the side of the plug.



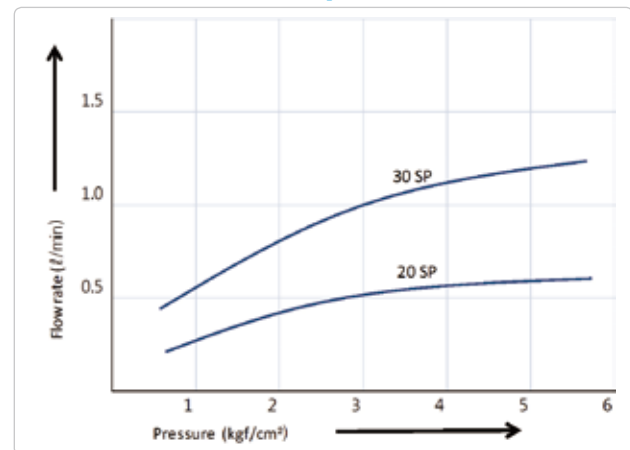
Pressure

Max. Working Pressure	7 kgf/cm ²
Proof Pressure	10 kgf/cm ²

Use

Material	Brass
Applicable fluids	Oxygen Air Acetylene
Use	<ul style="list-style-type: none"> ▪ Gas Welding ▪ Gas hose connection ▪ Blow pipe

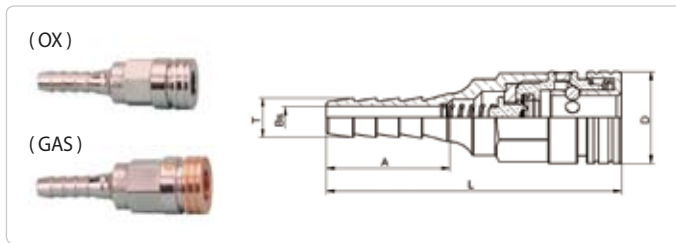
Pressure-Flow rate Graph



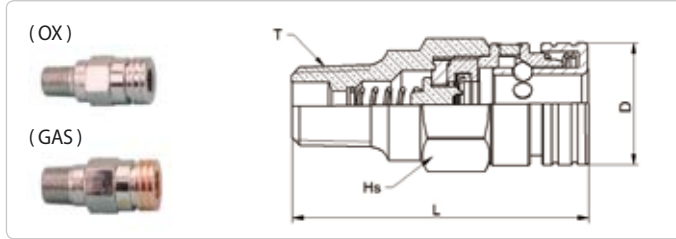
Application example



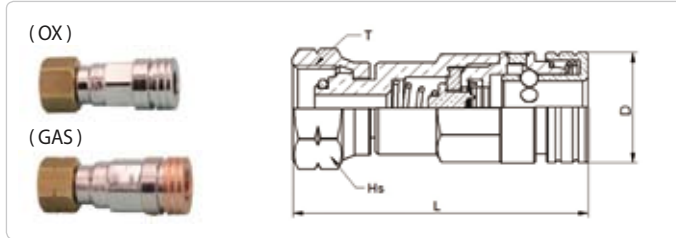
SAFETY COUPLER DIMENSIONS



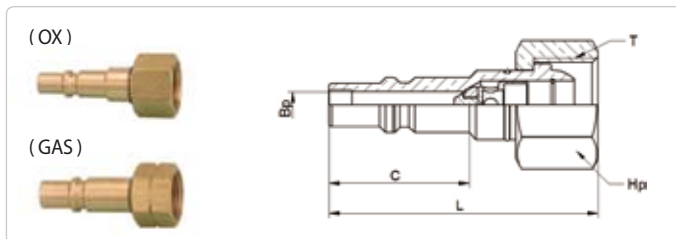
S (SOCKET)								
SH Type								
Type	Use	Model	Dimensions (mm)					Application
			L	D	A	T	Bs	
KSSN	OX	* SH-21	65.5	20	25	7.5	4.5	6A 1/4" HOSE
		SH-22	64	20	29	8.6	5.0	8A 5/16" HOSE
		* SH-23	69.5	20	34	10.5	7.5	10A 3/8" HOSE
	GAS	* SH-31	66.5	22	25	7.5	4.5	6A 1/4" HOSE
		SH-32	68	22	29	8.6	5.0	8A 5/16" HOSE
		* SH-33	74	22	34	10.5	7.5	10A 3/8" HOSE



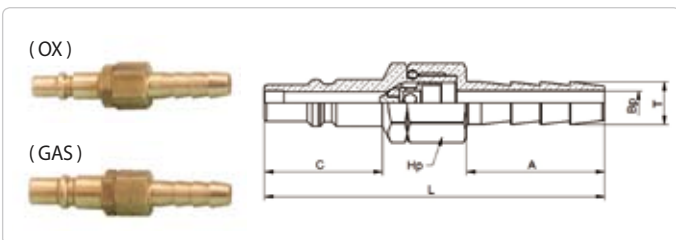
SM Type							
Type	Use	Model	Dimensions (mm)				Application
			L	D	T	Hs	
KSSN	OX	SM-22	48.1	20	PT 1/4"	19	8A PT 1/4"
		SM-23	48.1	20	PT 3/8"	19	10A PT 3/8"
		SM-24	48.1	20	PT 1/2"	19	15A PT 1/2"
	GAS	SM-32	51.5	22	PT 1/4"	21	8A PT 1/4"
		SM-33	50	22	PT 3/8"	21	10A PT 3/8"
		SM-34	52	22	PT 1/2"	22	15A PT 1/2"



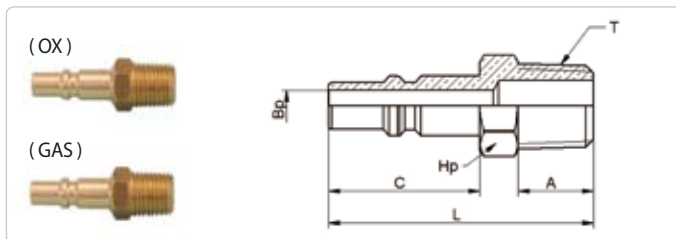
SF Type							
Type	Use	Model	Dimensions (mm)				Application
			L	D	T	Hs	
KSSN	OX	SF-22	53	20	M16 x P1.5	19	M16 x P1.5
	GAS	SF-33	55.5	22	M16 x P1.5	19	M16xP1.5 Left



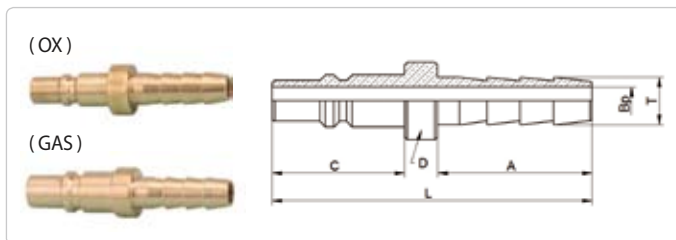
P (PLUG)								
PFB Type								
Type	Use	Model	Dimensions (mm)					Application
			L	C	Hp	T	Bp	
KSPN	OX	PFB-22	46	24	Hex 19	M16 x P1.5	5.0	M16xP1.5
	GAS	PFB-33	46	26.5	Hex 19	M16 x P1.5	7.5	M16xP1.5 Left



PHB Type									
Type	Use	Model	Dimensions (mm)					Application	
			L	C	A	Hp	T		Bp
KSPN	OX	* PHB-21	67	24	25	14	7.5	4.5	6A 1/4" HOSE
		PHB-22	69	24	28	14	8.6	5.0	8A 5/16" HOSE
	GAS	* PHB-31	69	26.5	28	14	8.6	5.0	6A 1/4" HOSE
		PHB-32	71	26.5	28	14	8.6	5.0	8A 5/16" HOSE



PM Type									
Type	Use	Model	Dimensions (mm)					Application	
			L	C	A	Hp	T		Bp
KSPN	OX	PM-22	42	24	13	14	PT 1/4"	5.0	PT 1/4"
		PM-23	43	24	14	19	PT 3/8"	5.0	PT 3/8"
	GAS	PM-32	45	26.5	13	14	PT 1/4"	7.5	PT 1/4"
		PM-33	46.5	26.5	14	19	PT 3/8"	7.5	PT 3/8"

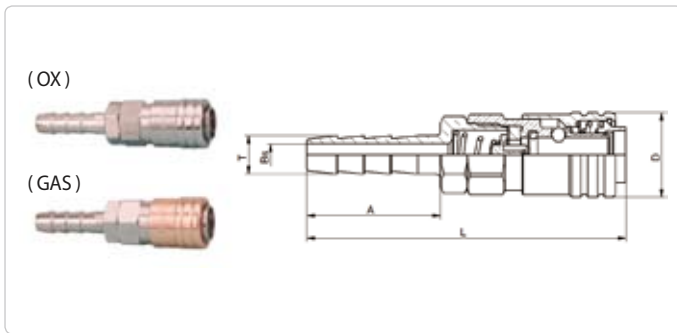


PH Type									
Type	Use	Model	Dimensions (mm)					Application	
			L	C	A	D	T		Bp
KSPN	OX	* PH-21	54	24	25	11	7.5	5.0	6A 1/4" HOSE
		PH-22	58	24	28	11	8.6	5.0	8A 5/16" HOSE
	GAS	* PH-31	54.5	26.5	25	14	7.5	5.0	6A 1/4" HOSE
		PH-32	58.5	26.5	28	14	8.6	5.0	8A 5/16" HOSE

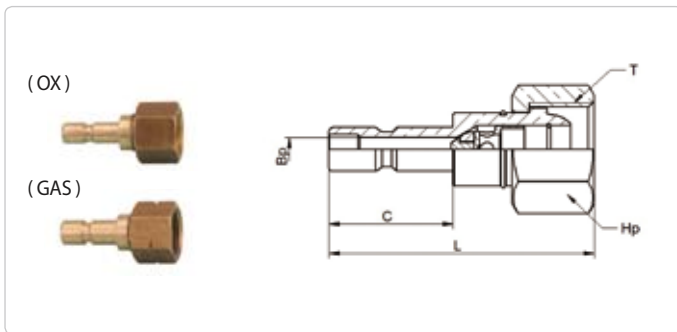
* models are available upon request.

SAFETY COUPLER
 AIR FILTER COUPLER / HI-COUPLER
 HYBRID COUPLER
 HYBRID COIL HOSE COUPLER / CO₂ & ARGON COUPLER
 GRINDER COUPLER / UNIVERSAL COUPLER
 UNLOAD COUPLER

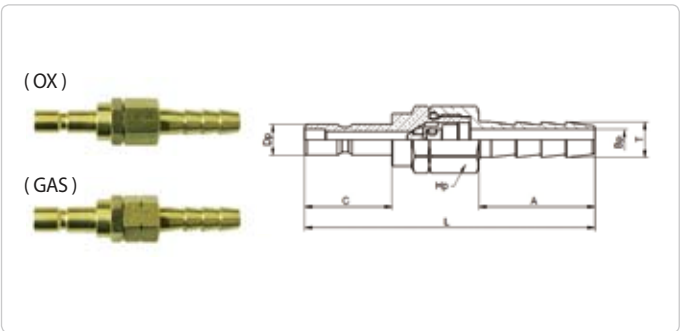
SAFETY COUPLER DIMENSIONS



S (SOCKET)								
SH Type								
Type	Use	Model	Dimensions (mm)					Application
			L	D	A	T	Bs	
KSS	OX	SH-20	71.5	19	30	8.6	5.0	8A 5/16"
	GAS	SH-30	71.5	20	30	8.6	5.0	



P (PLUG)							
PFB Type							
Type	Use	Model	Dimensions (mm)				
			L	C	Hp	Bp	T
KSP	OX	PFB-20	45.2	21.2	19	5	M16 x P1.5
	GAS	PFB-30	45.2	21.2	19	5.8	M16 x P1.5 Left

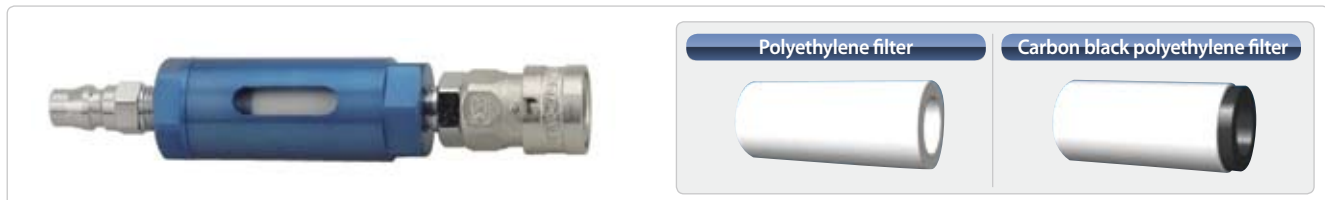


P (PLUG)										
PHB Type										
Type	Use	Model	Dimensions (mm)							Application
			L	C	A	Hp	T	Bp	Dp	
KSP	OX	PHB-20	70.2	21.2	28	Hex 14	8.6	5.0	7.5	8A 5/16"
	GAS	PHB-30	70.2	21.2	28	Hex 14	8.6	5.0	8.7	

AIR FILTER COUPLER

Features

- Since Air Filter Coupler has a transparent window structure to check contamination levels of the filter, it is easy to determine replacement cycles.
- Body material(Aluminum): Lightweight, Strong and Durable.



Model	Applicable Coupler
AF-22	AIR COUPLER SH-22
AF-35	HI-COUPLER SH-358, SH-3510, SH-3515
AF-300	HI-COUPLER SH-308, SH-310, SH-315
AF-400	HI-COUPLER SH-508, SH-510, SH-515